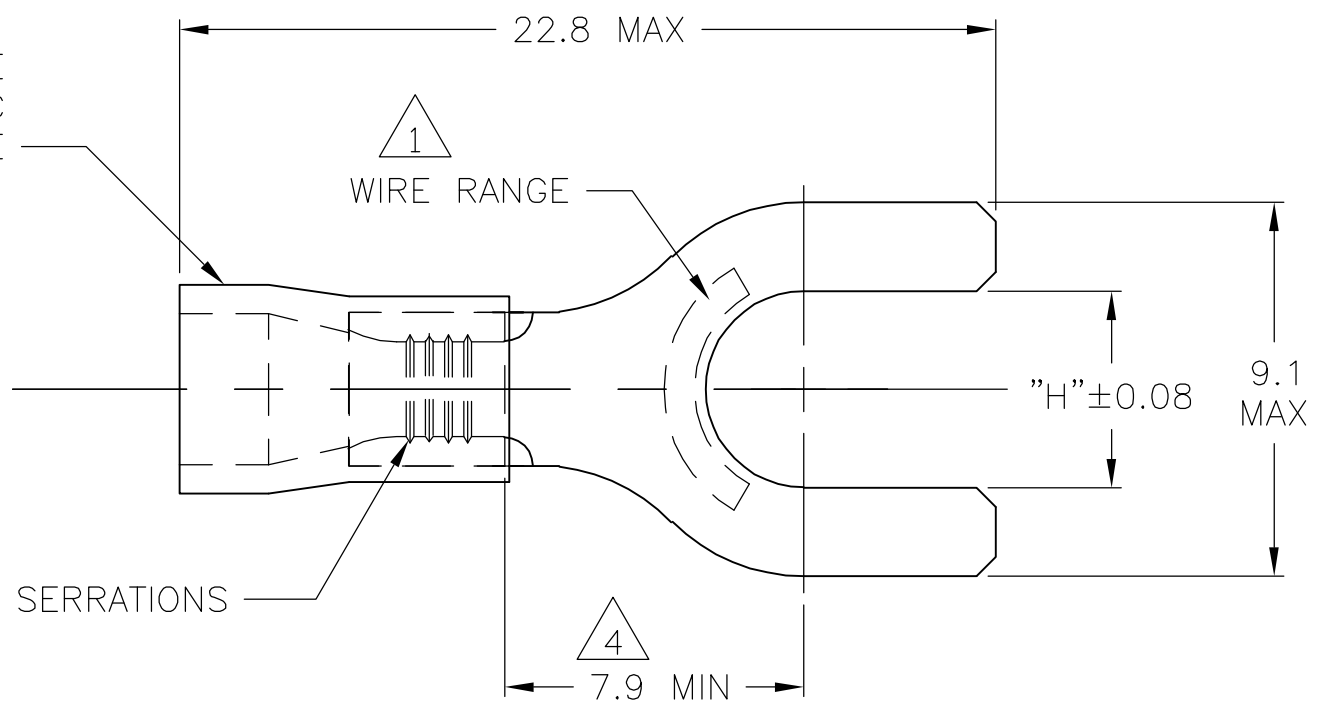


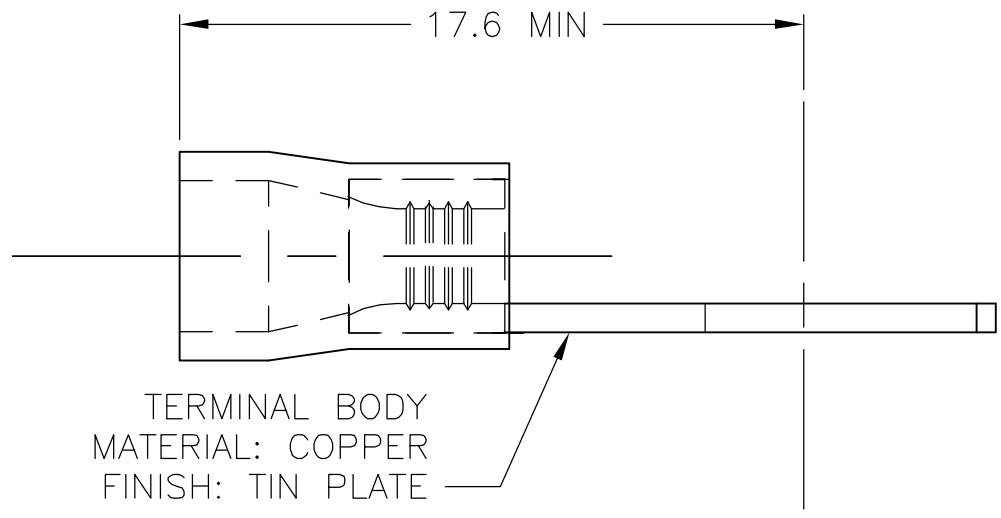
THIS DRAWING IS UNPUBLISHED. RELEASED FOR PUBLICATION  
 © COPYRIGHT BY TYCO ELECTRONICS CORPORATION. ALL RIGHTS RESERVED.

| LOC | DIST | REVISIONS |     |                       |         |     |      |
|-----|------|-----------|-----|-----------------------|---------|-----|------|
| G   | 02   | P         | LTR | DESCRIPTION           | DATE    | DWN | APVD |
|     |      |           | C   | REV PER ECR 05-009599 | 08DEC05 | JR  | TM   |

INSULATION SLEEVE  
 MATERIAL: PVC  
 COLOR: BLUE



- 1 WIRE SIZE IS 16-14 AWG
- 2 WIRE INSULATION DIA: 3.0-4.9
- 3 MATERIAL THICKNESS IS 0.80±0.05
- 4 DIMENSION APPLIES FROM EDGE OF METAL WIRE BARREL TO CENTER OF STUD HOLE.
- 5 600 VOLT MAX
- 6 CIRCULAR MIL AREA: 2,050 - 5,180 (1.04mm<sup>2</sup>-2.62mm<sup>2</sup>)



|         |             |           |      |          |
|---------|-------------|-----------|------|----------|
| 5.2     | PLASTIC BAG | STANDARD  | 1000 | 132464-3 |
| 4.3     | PLASTIC BAG | STANDARD  | 1000 | 132464-2 |
| 3.6     | PLASTIC BAG | STANDARD  | 1000 | 132464-1 |
| "H" DIM | PACKAGING   | LABELLING | QTY  | PART NO  |

|  |  |                           |   |               |
|--|--|---------------------------|---|---------------|
| THIS DRAWING IS A CONTROLLED DOCUMENT. |  | DWN jr_ruth 08DEC05       | Tyco Electronics Corporation<br>Harrisburg, PA 17105-3608 |               |
| DIMENSIONS: mm                         |  | CHK T MICHELUTTI 08DEC05  |   |               |
| TOLERANCES UNLESS OTHERWISE SPECIFIED: |  | APVD T MICHELUTTI 08DEC05 | NAME  |               |
| 0 PLC ± -                              |  | PRODUCT SPEC              | TERMINAL, SPADE, PLASTI-GRIP,                             |               |
| 1 PLC ± 0.5                            |  | APPLICATION SPEC          | -   |               |
| 2 PLC ± -                              |  | WEIGHT                    | -   |               |
| 3 PLC ± -                              |  | CUSTOMER DRAWING          | SIZE A3   | RESTRICTED TO |
| 4 PLC ± -                              |  |                           | CAGE CODE 00779   |               |
| ANGLES ± 1'                            |  |                           | DRAWING NO C-132464                                       |               |
| MATERIAL -                             |  |                           | SCALE 5:1   |               |
| FINISH -                               |  |                           | SHEET 1 OF 1  |               |
|  |  |                           | REV C   |               |